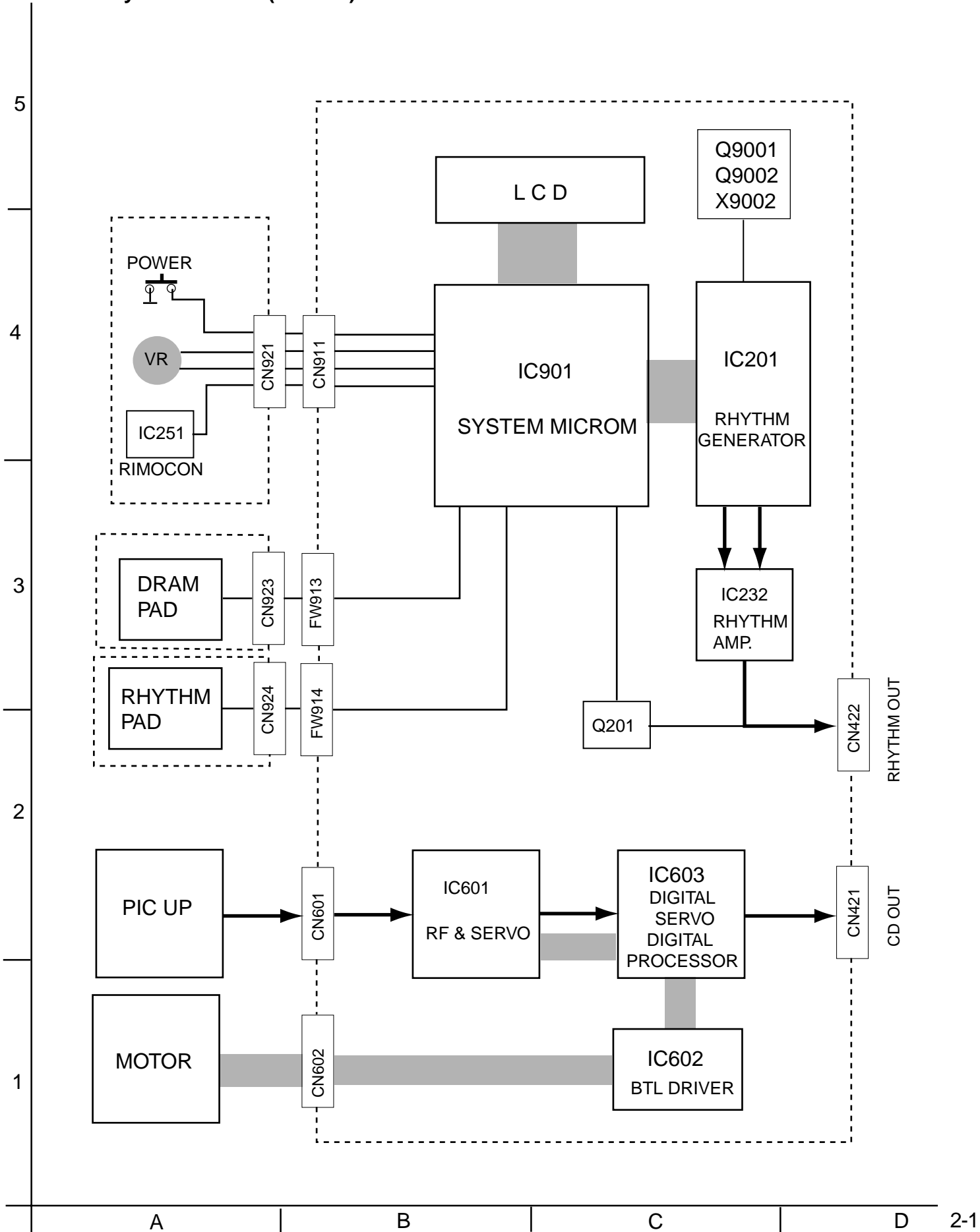
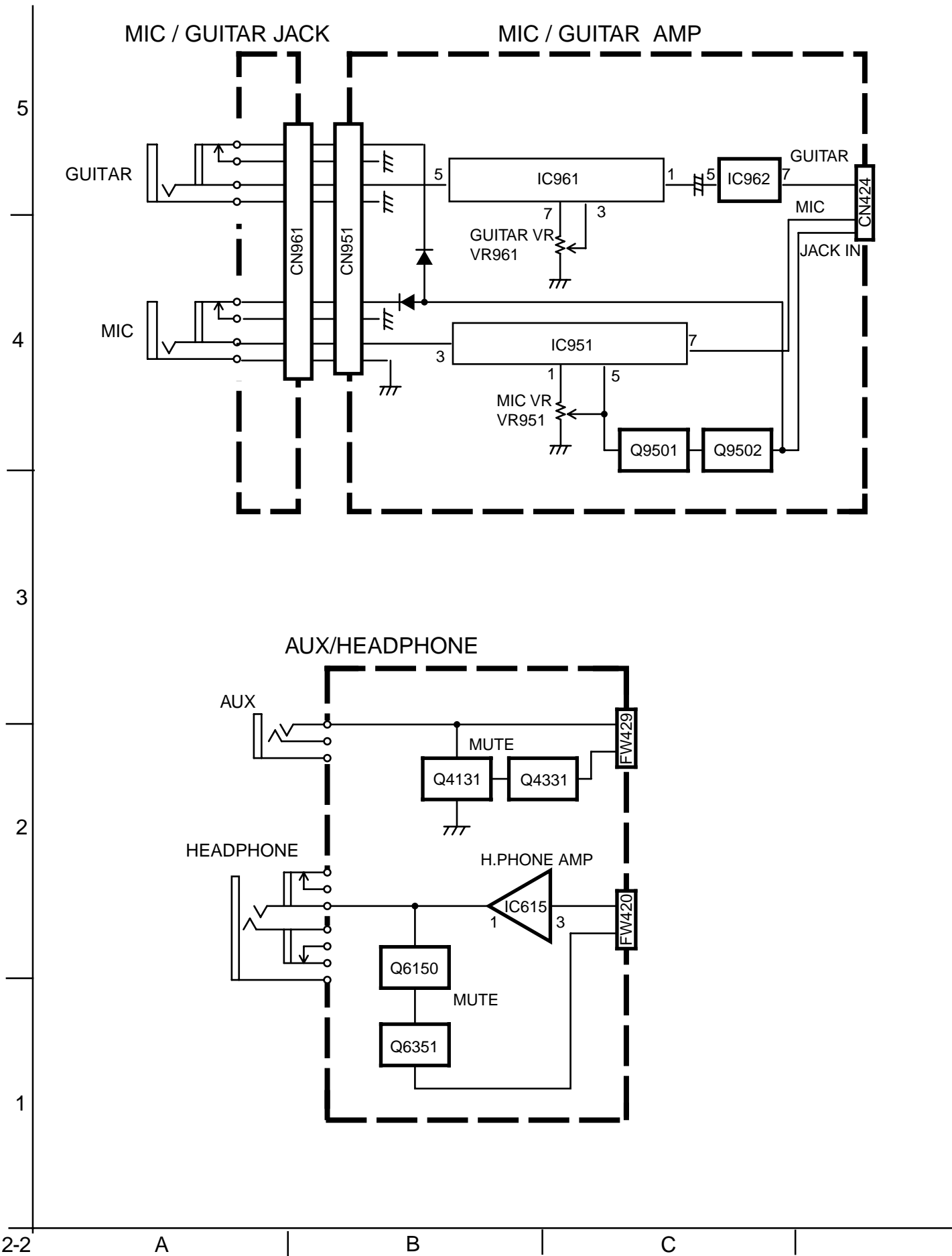


# Block diagrams

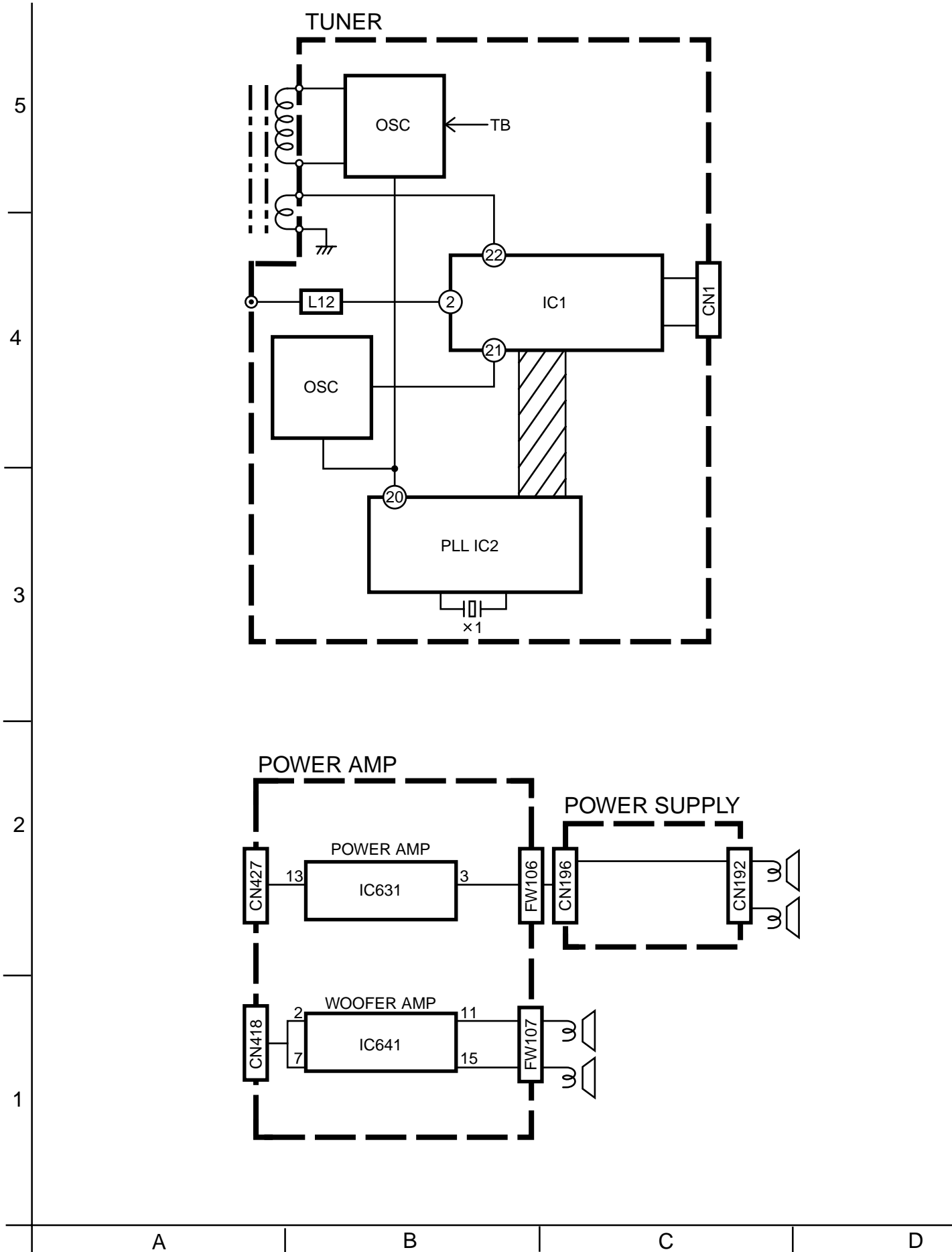
## ■ System control (Microm) section



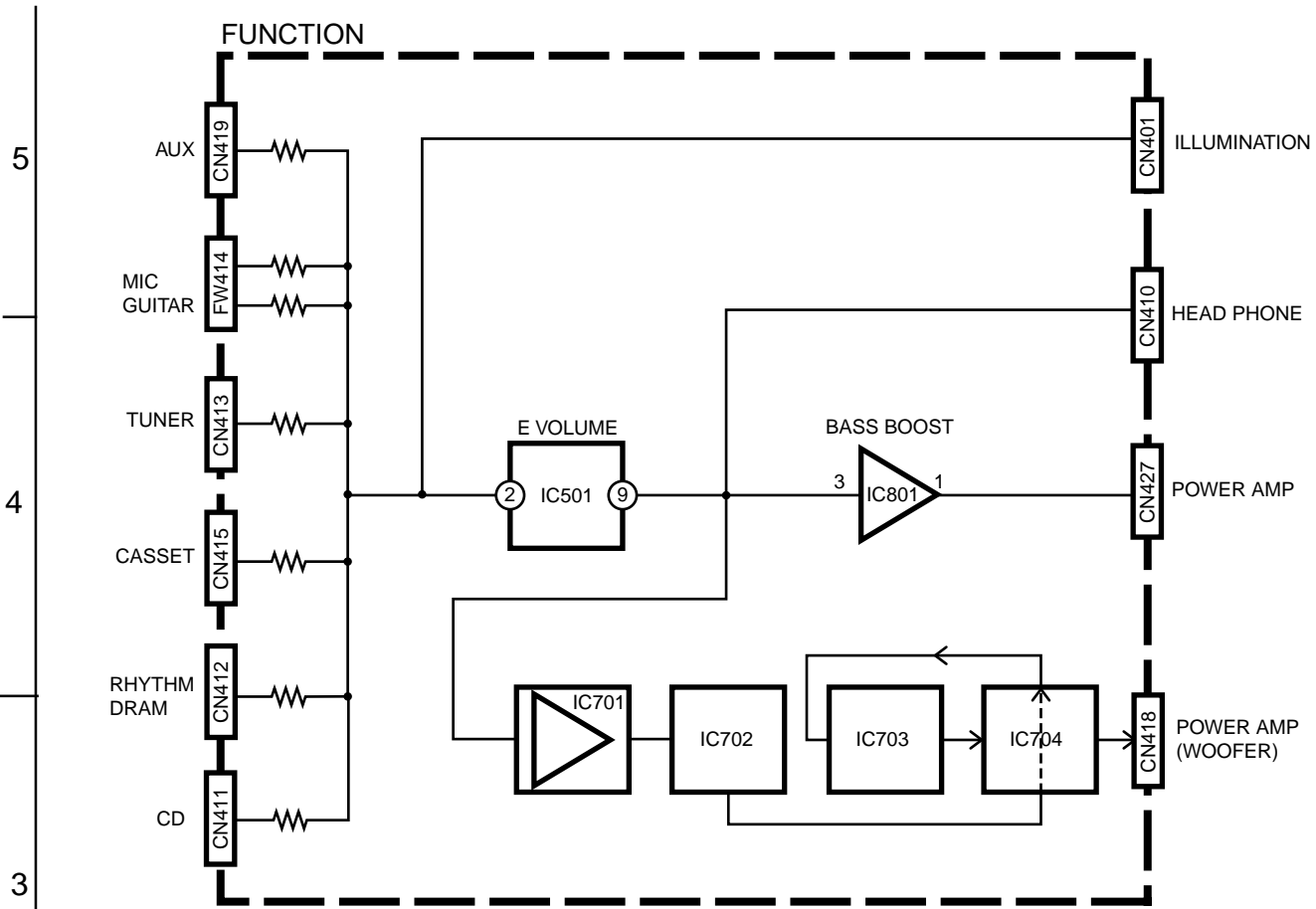
■ Mic/Guitar and AUX/Headphone section



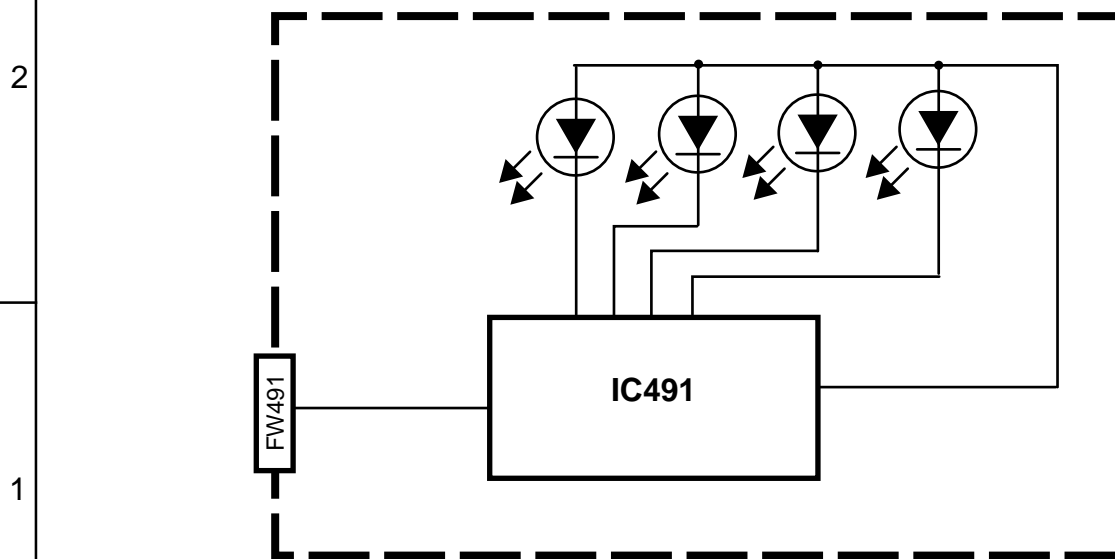
■ Tuner / Power section



■ Function section



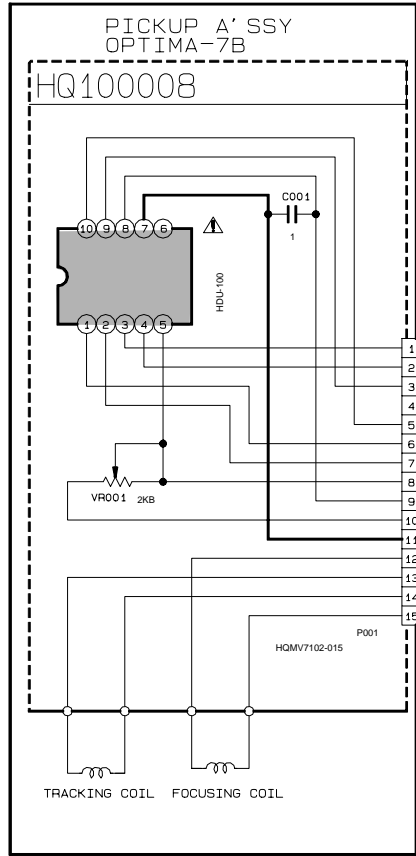
■ LED section



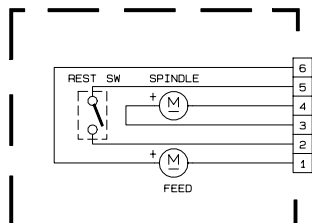
# Standard schematic diagrams

## ■ CD servo control section

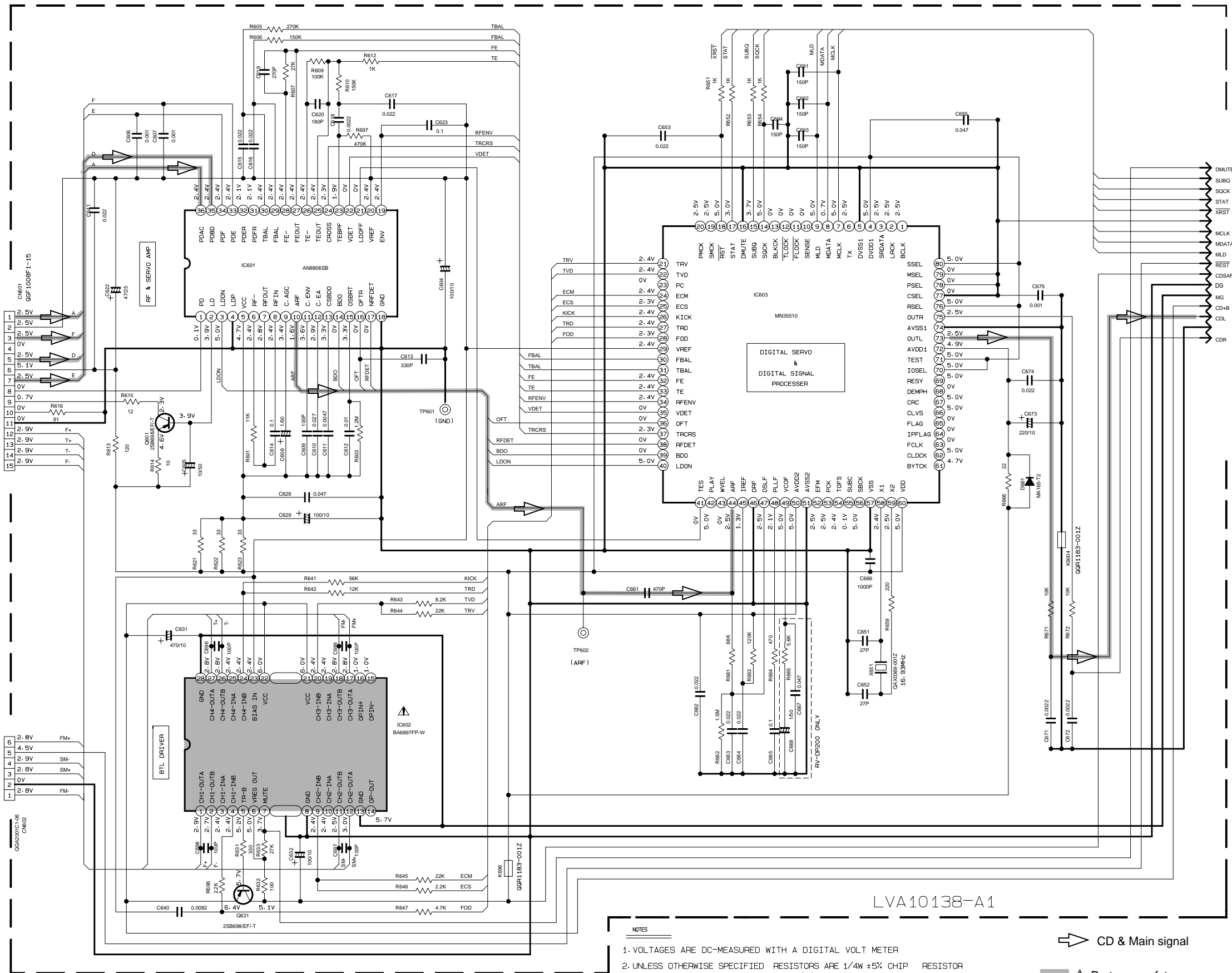
5  
4  
3  
2  
1



EXL-M7MBYPM



TK473, CMKS-B1X, CMKE-77X, NMPF2

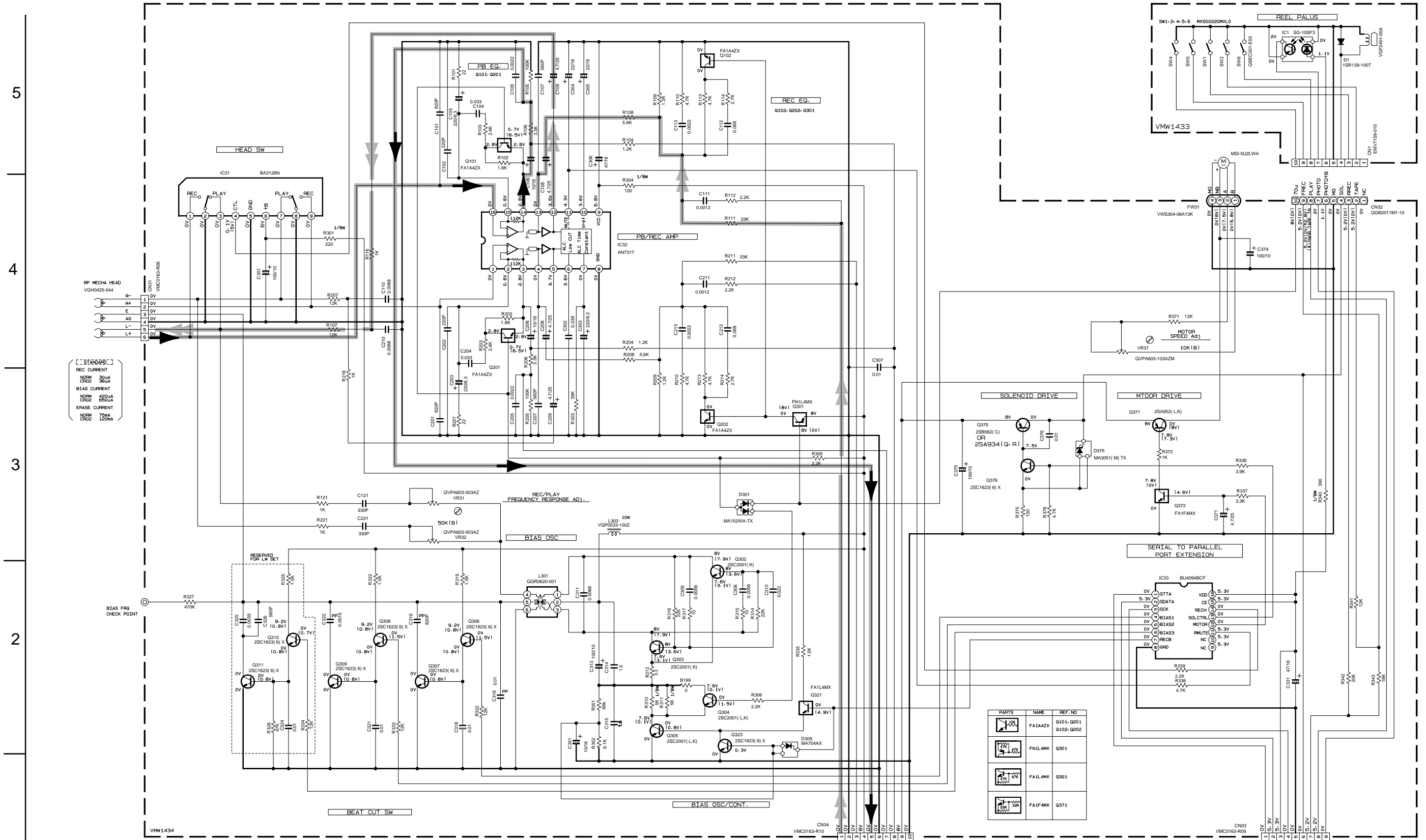


➔ CD & Main signal

▲ Parts are safety assurance parts. When replacing those parts make sure to use the specified one.

To G-2 on page 2-8

■ Cassette amplifier section



**NOTES**

1. VOLTAGES ARE DC-MEASURED WITH A DIGITAL VOLT METER OR OSCILLOSCOPE WITHOUT INPUT SIGNAL. CONDITION: MECHA STOP MODE

2. UNLESS OTHERWISE SPECIFIED, RESISTORS ARE 1/10W ±5% METAL GLAZE RESISTOR. ALL RESISTANCE VALUES ARE IN OHM(S). ALL CAPACITORS ARE CERAMIC CAPACITOR OR MYLAR CAPACITOR. ALL CAPACITANCE VALUES ARE IN #F(P#P#F). ALL INDUCTANCE VALUES ARE IN #H(M#M#H). ALL E. CAPACITORS ARE SHOWN IN THE FORM OF CAPACITANCE (#F)/RATED VOLTAGE (V). POLYPROPYLENE CAPACITOR

Tape P.B. signal  
 Recording signal

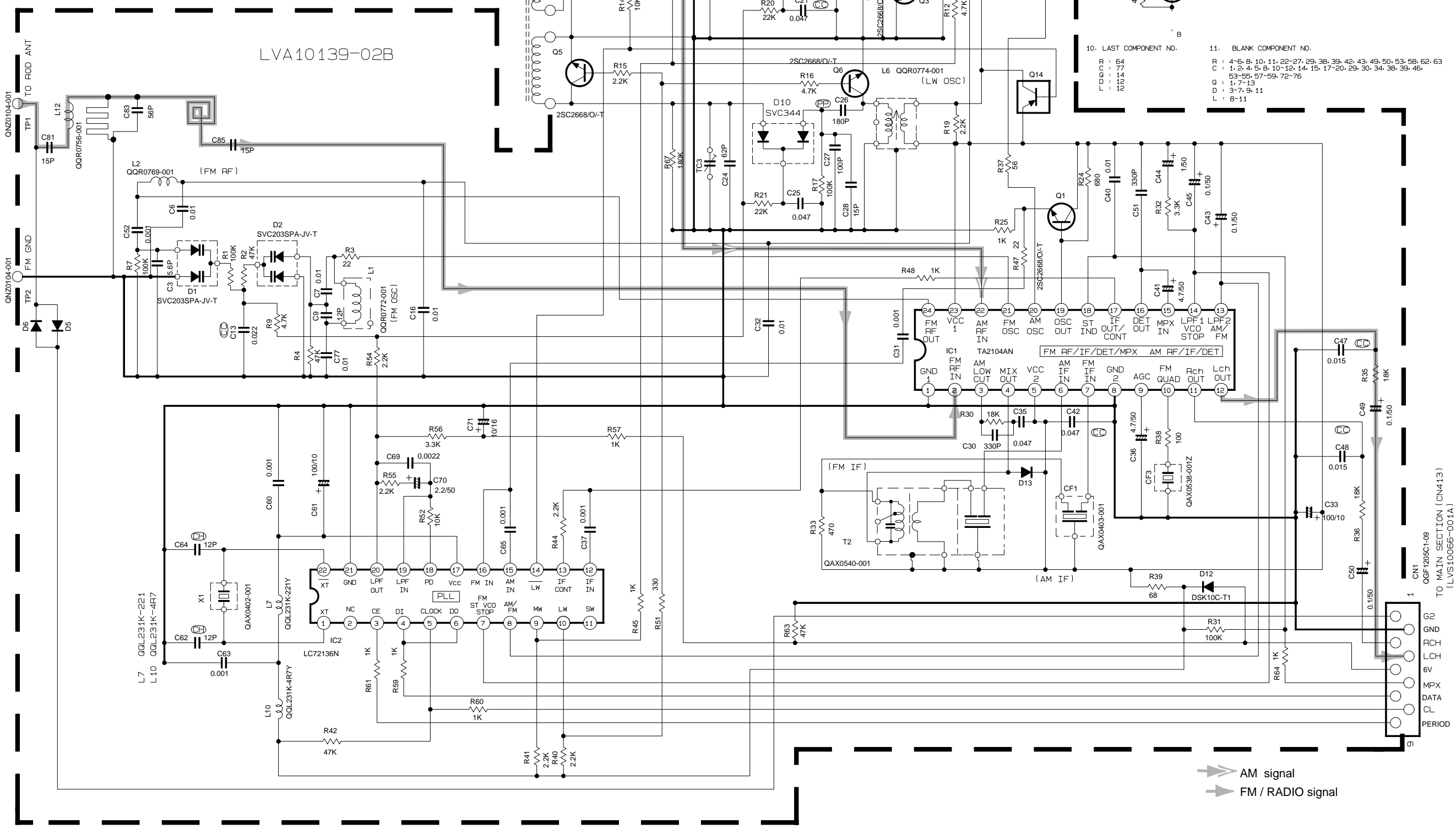
To E-1 on page 2-8

To A-2 on page 2-9

**Tuner section**

5  
4  
3  
2  
1

PIN NO	1	2	3	4	5	6	7	8	9	10	11	12	13	14	15	16	17	18	19	20	21	22	23	24
IC1	FM NO SIGNAL 88MHz	0	0.8	0	3.6	4	3.5	4	0	0.6	3.2	1.2	1.2	3.4	3.3	0.7	1.4	1.2	0	3.9	4	4.1	4	4
	FM 88MHz 600B STEREO	0	0.8	0.2	3.6	4.1	3.9	4.1	0	0	3.3	1.2	1.2	3.3	3.4	0.7	1.1	1.4	0.7	4	4.1	4.1	4.1	4.1
	AM 531KHz NO SIGNAL	0	0	1	4.2	4.3	3.6	4.3	0	0.1	3.7	1.2	1.2	0	0	0.7	1.1	0.9	0.7	4.1	4.2	4.3	4.3	4.3
PIN NO	1	2	3	4	5	6	7	8	9	10	11	12	13	14	15	16	17	18	19	20	21	22		
IC2	FM NO SIGNAL	2.5	0	0	5.1	5.1	5.1	3.5	3.2	3.9	2.5	4.1	0	1.4	1.7	0	2.4	0	0.9	0.9	1.5	0	2	
TR NO	Q1	Q2	Q3	Q4	Q5	Q6	Q14																	
PIN NO	E	C	B	E	C	B	E	C	B	E	C	B	E	C	B	E	C	B	E	C	B	E	C	B
	AM 1440KHz NO SIGNAL	3.3	4.2	4.1	0	0	0.1	0	0	0.1	4.1	4.1	3.6	0	0	0	0	0	0.7	4.1	4.1	0	0	
	AM 144KHz NO SIGNAL	3.4	4.3	4.2	0	0	0.8	0	0	0.7	4.3	4.3	4.3	0	0	0.1	0	0	0.1	4.3	4.3	4.3	0	



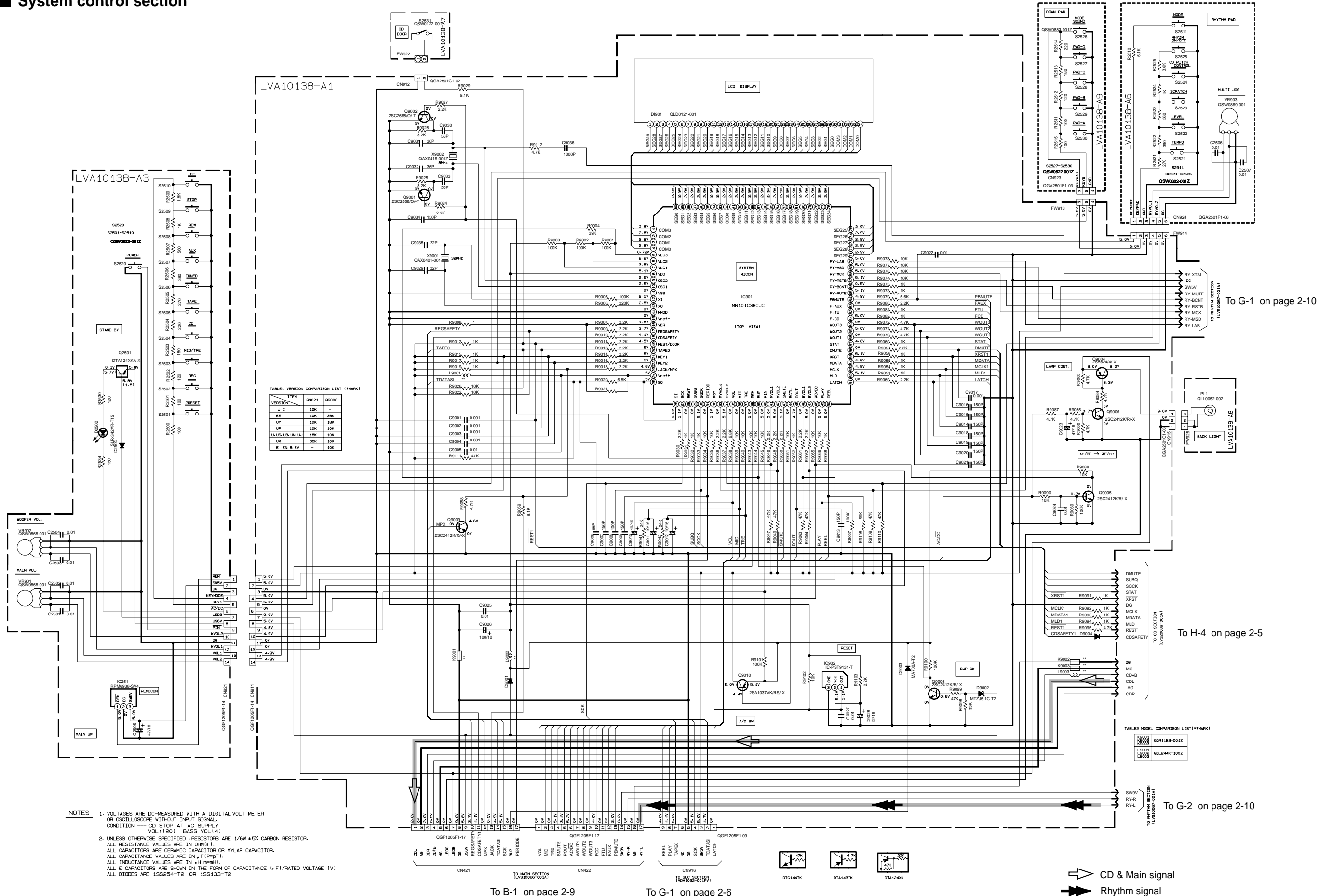
- NOTES**
- VOLTAGES ARE DC-MEASURED WITH A DIGITAL VOLT METER
  - ALL RESISTORS ARE 1/6W 5% CARBON RESISTOR.
  - ALL RESISTANCE VALUES ARE IN OHM(S).
  - ALL CAPACITANCE VALUES ARE IN pF (PpF).
  - ALL E. CAPS ARE SHOWN IN THE FORM OF CAPACITANCE (#F)/RATED VOLTAGE (V).
  - ALL INDUCTANCE VALUES ARE IN #H(=mH)
  - S1. DIODES (▶) ARE ALL MA165 THAT CAN BE CHANGED TO SIMILAR DIODE SUCH AS 1SS254 OR HSS104TU OR 1SS133.
  - PARTS NO. OF TRANSISTORS ARE AS FOLLOWS:  
Q1, 2, 3, 5, 6 2SC2668/O/ OR 2SC1923/O/  
Q4 2SA1175/HFE/ 2SA1175/HFE/  
Q14 DTA114YS or BN1A4P
  - INSIDE OF DIGITAL TRANSISTOR IS SHOWN AS FOLLOWS.  
DTA114YA-T  
BN1A4P  
EO  
7K  
C
  - LAST COMPONENT NO.
  - BLANK COMPONENT NO.  
R: 4-6, 8, 10, 11, 22-27, 29, 39, 39, 42, 43, 49, 50, 53, 58, 62, 63  
C: 1, 2, 4, 5, 8, 10-12, 14, 15, 17-20, 29, 30, 34, 39, 46, 53-55, 57-59, 72-76  
D: 1-7, 13  
Q: 3-7, 9, 11  
L: 8-11

To A-3 on page 2-9

# RV-DP200BK

## System control section

5  
4  
3  
2  
1



To G-1 on page 2-10

To H-4 on page 2-5

To G-2 on page 2-10

To B-1 on page 2-9

To G-1 on page 2-6

CD & Main signal  
Rhythm signal

A B C 2-8 D E F G H





Power amplifier section

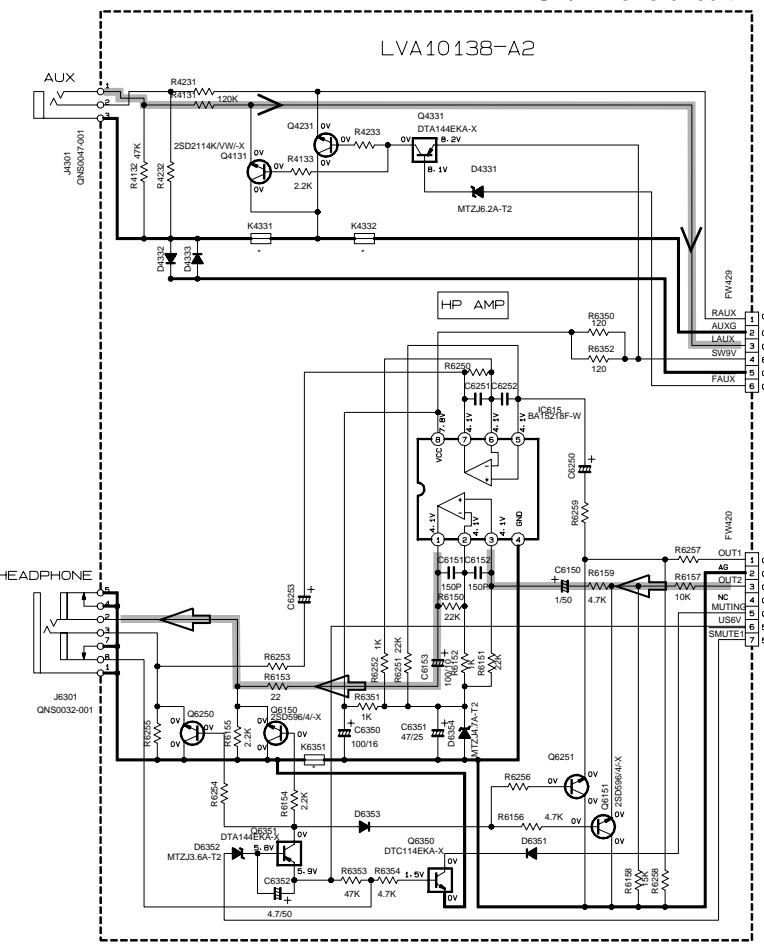
AUX/H.Pone circuit

Power amplifier circuit

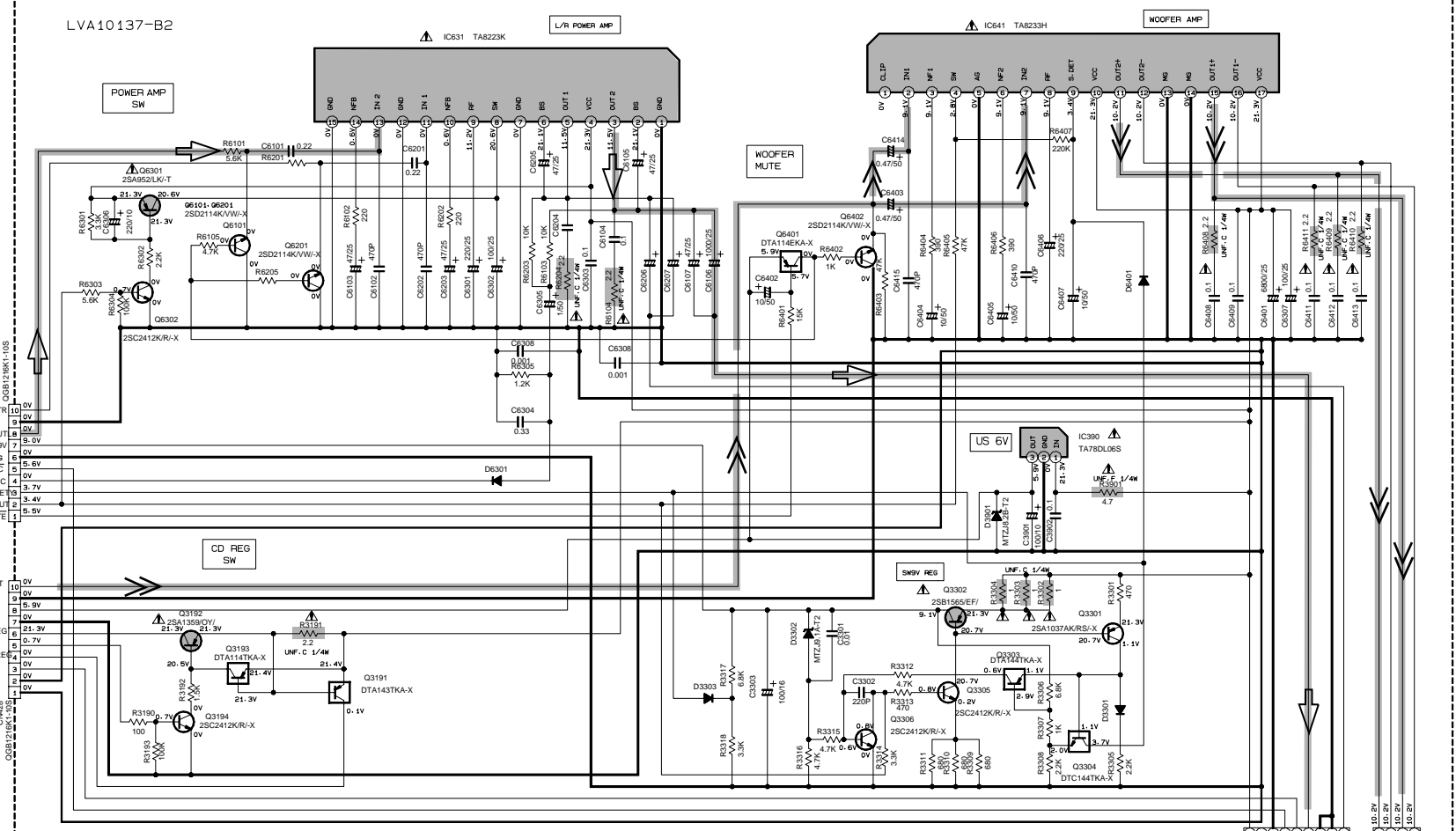
5

4

3



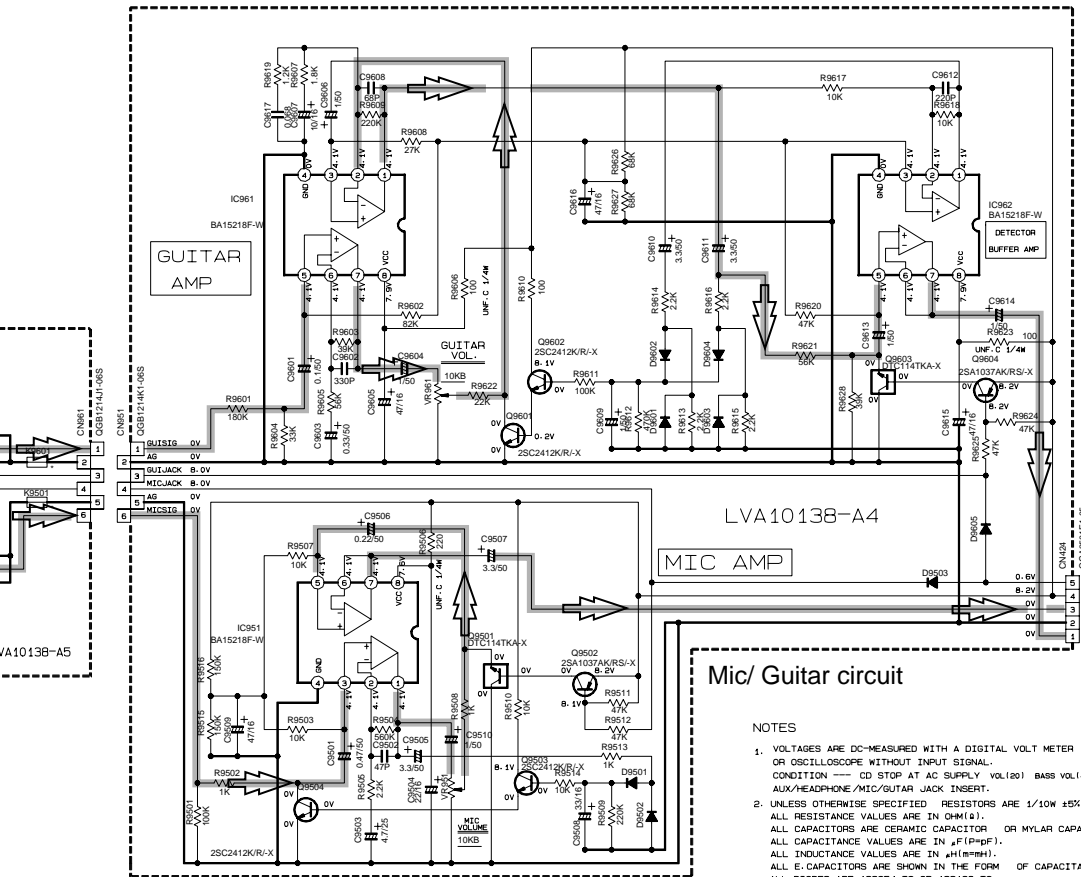
To D-5 on page 2-9  
To H-2, on page 2-9  
To H-3 on page 2-9  
To C-5 on page 2-9  
TO MAIN SECTION (CN419)  
(LVS1006B-001A1)  
TO MAIN SECTION (CN417)  
(LVS1006B-001A1)  
TO MAIN SECTION (CN418)  
(LVS1006B-001A1)



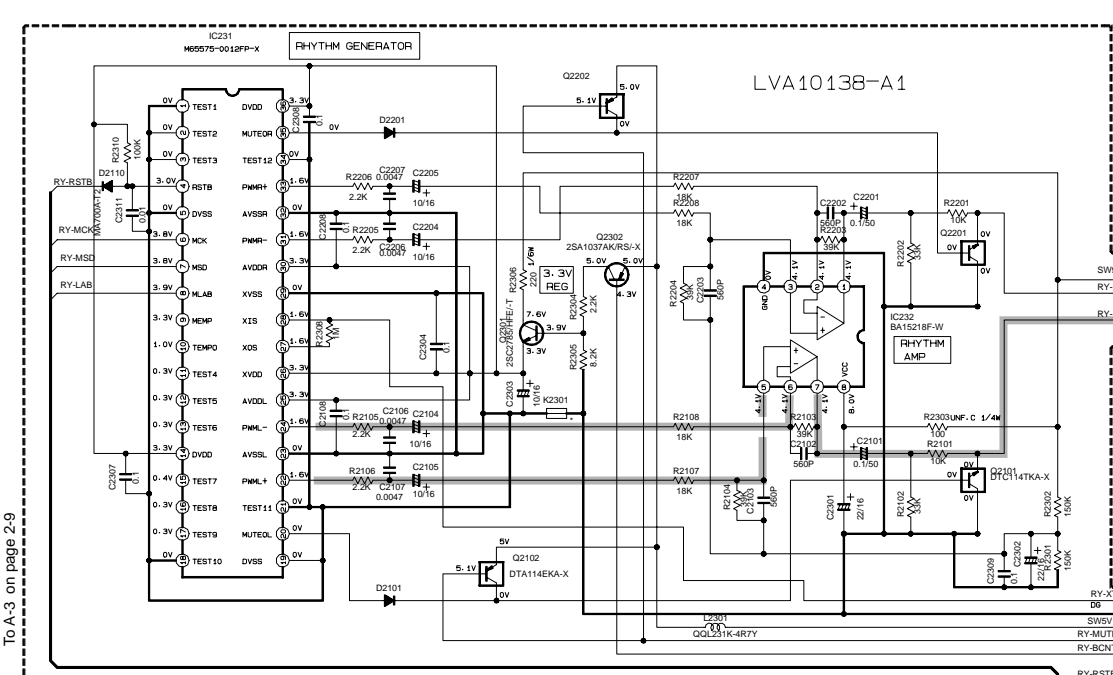
To D-5 on page 2-11

2

1



NOTES  
1. VOLTAGES ARE DC-MEASURED WITH A DIGITAL VOLT METER OR OSCILLOSCOPE WITHOUT INPUT SIGNAL.  
CONDITION --- CD STOP AT AC SUPPLY VOL(20) BASS VOL(4)  
AUX/HEADPHONE/MIC/GUITAR JACK INSERT.  
2. UNLESS OTHERWISE SPECIFIED RESISTORS ARE 1/10W ±5% MG RESISTOR  
ALL RESISTANCE VALUES ARE IN OHM(Ω).  
ALL CAPACITORS ARE CERAMIC CAPACITOR OR MYLAR CAPACITOR.  
ALL CAPACITANCE VALUES ARE IN μF(μF).  
ALL INDUCTANCE VALUES ARE IN μH(μH).  
ALL E-CAPACITORS ARE SHOWN IN THE FORM OF CAPACITANCE (μF)/RATED VOLTAGE (V).  
ALL DIODES ARE 1SS254-T2 OR 1SS133-T2



To G-1 on page 2-8

To G-4 on page 2-8

Rhythm G. circuit

TABLE1 (MARK) FERRITE BEADS (Kxxxx)

RV-DP200	RV-DP200
GQR183-0012	GQR183-0012

TABLE1 DIGITAL TRANSISTOR

DTA1145BA	DTA1145BA	DTA1145BA	DTA1145BA	DTA1145BA
DTA1145BA	DTA1145BA	DTA1145BA	DTA1145BA	DTA1145BA

- MIC & Guitar signal
- CD & Main signal
- AUX signal
- Woofer signal

Parts are safety assurance parts.  
When replacing those parts make sure to use the specified one.

TO U-COM SECTION (LVB1006B-001A)



# Printed circuit boards

■ Main board

Main board

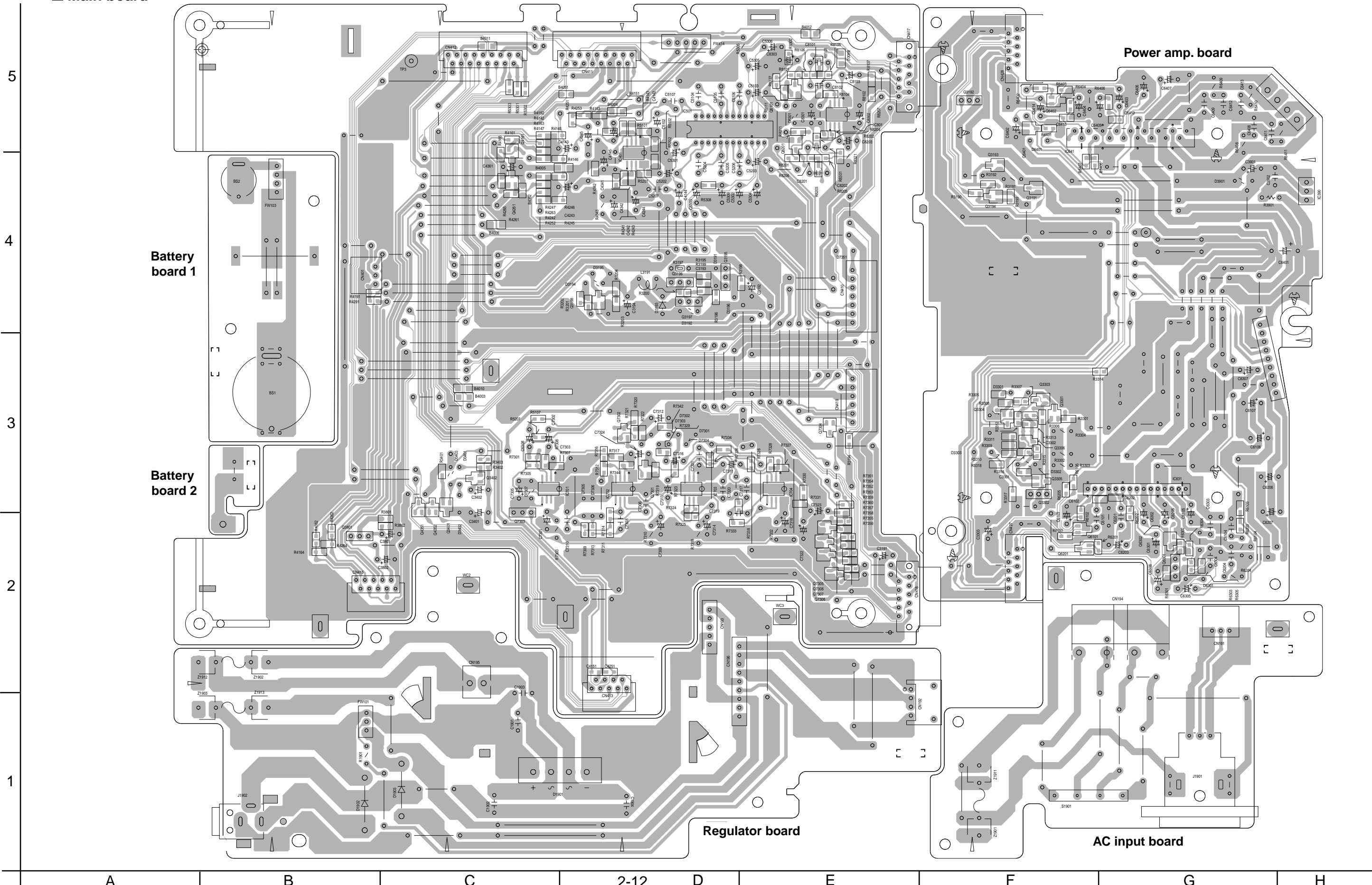
Power amp. board

Battery board 1

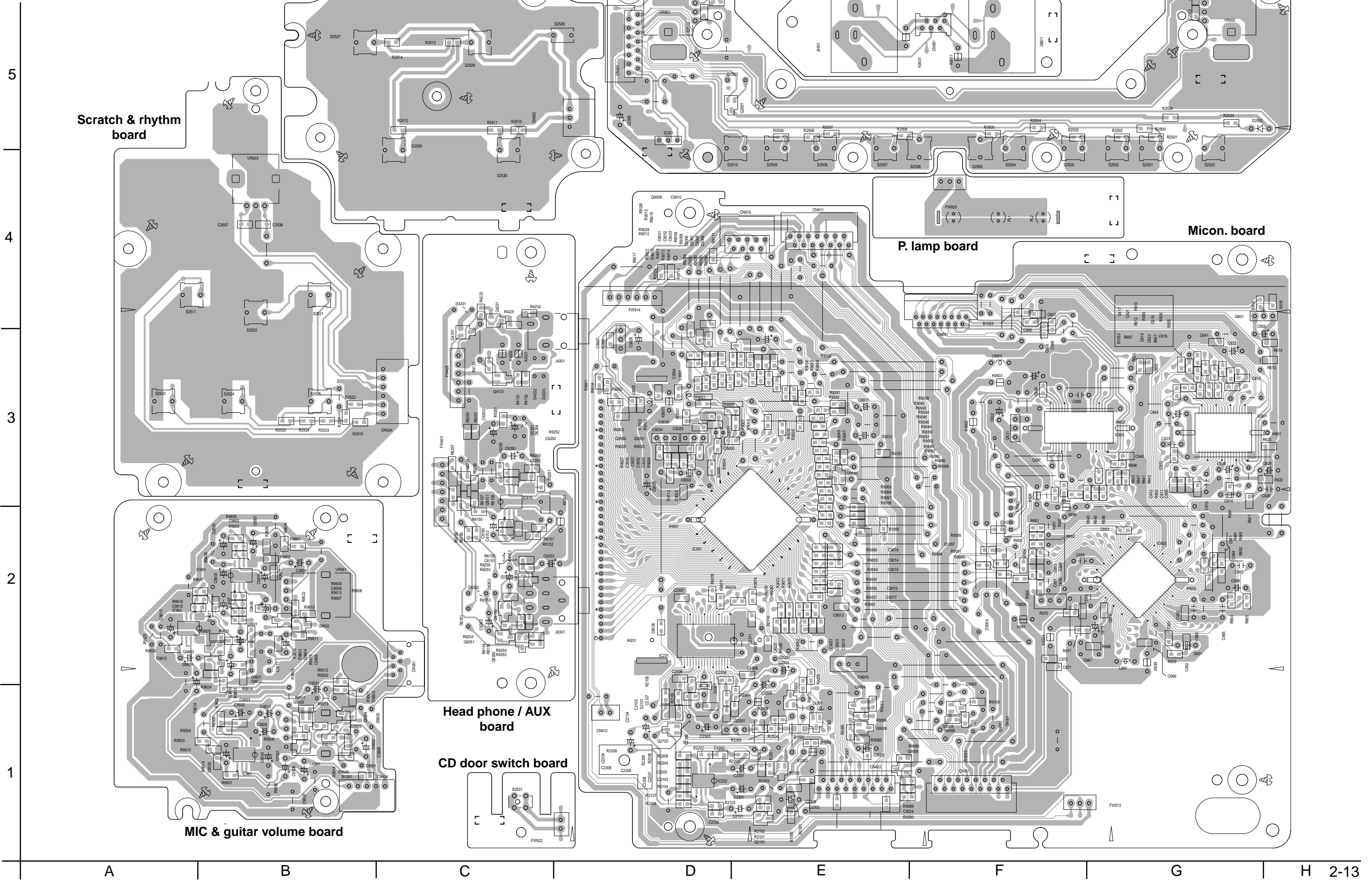
Battery board 2

Regulator board

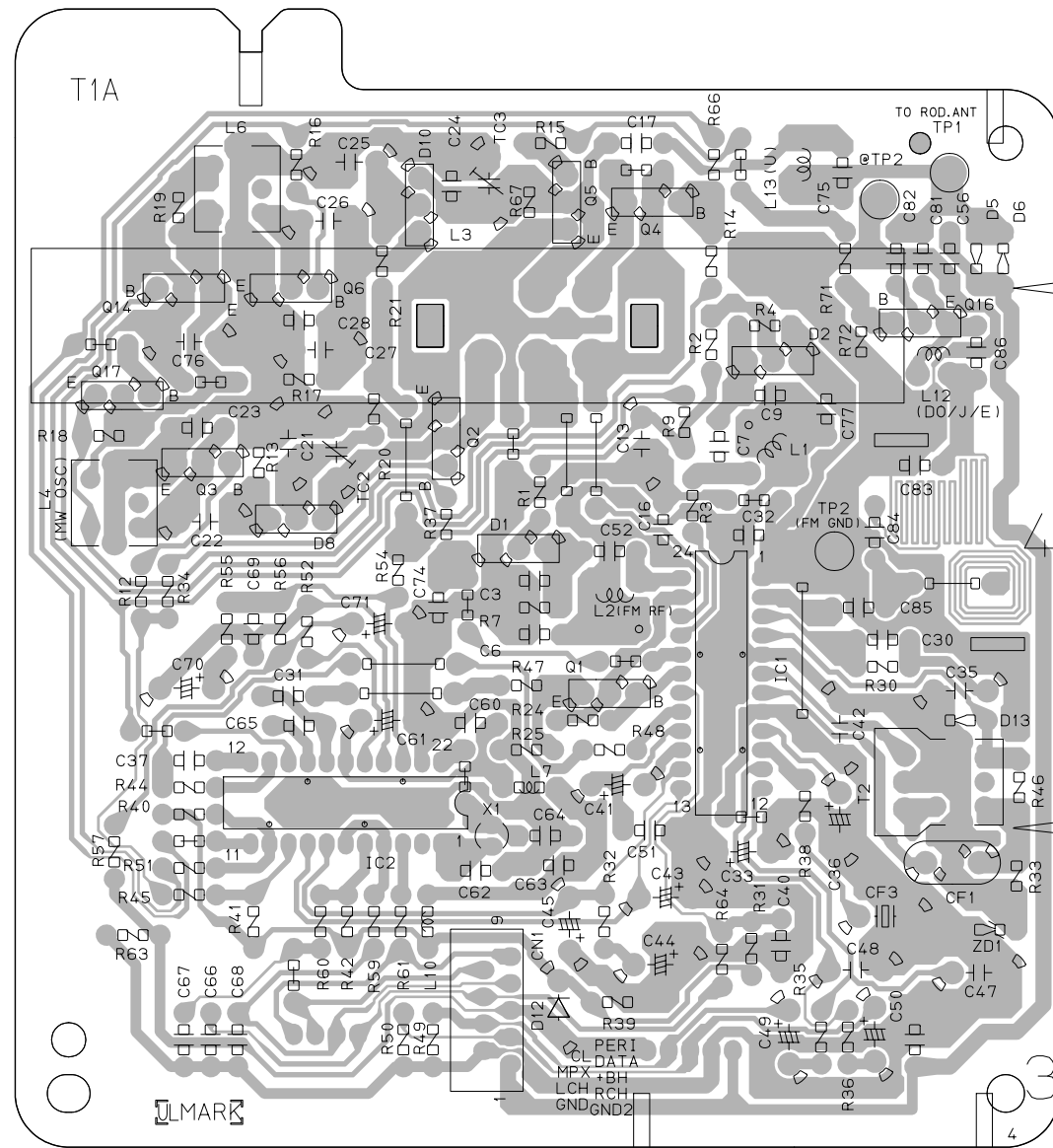
AC input board



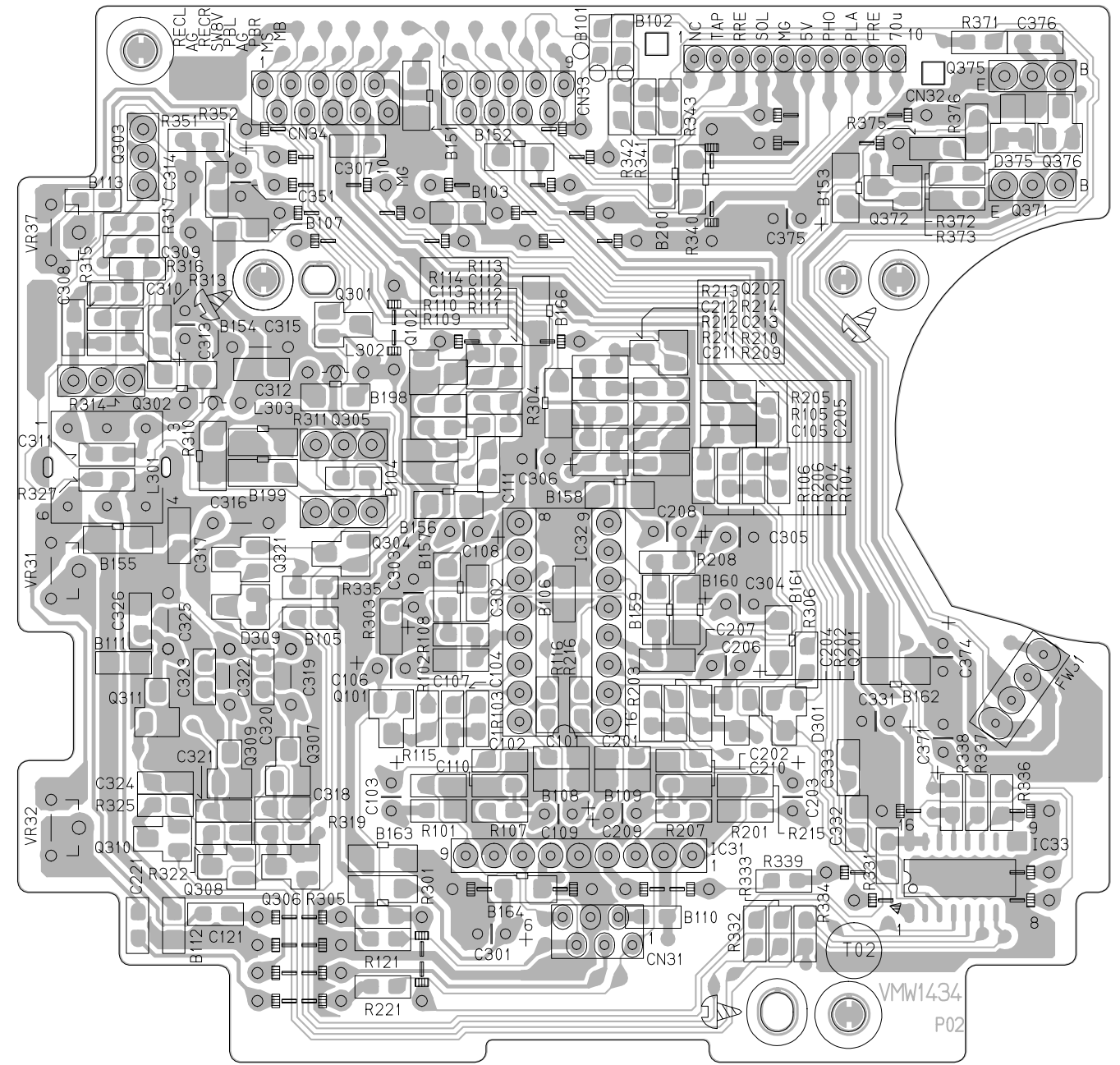
■ Micon board



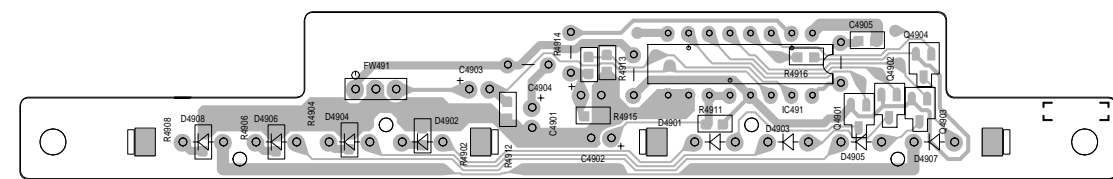
■ Tuner board



■ Head amplifier & Mechanism board



■ LED board



■ Cassette switch board

